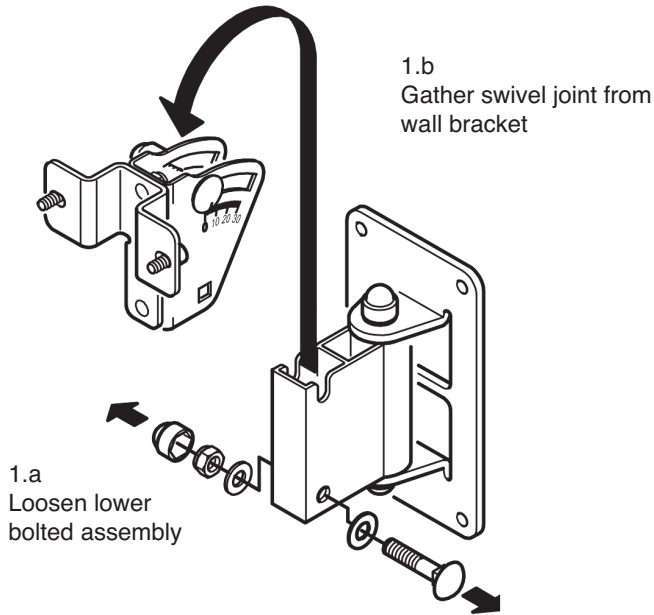


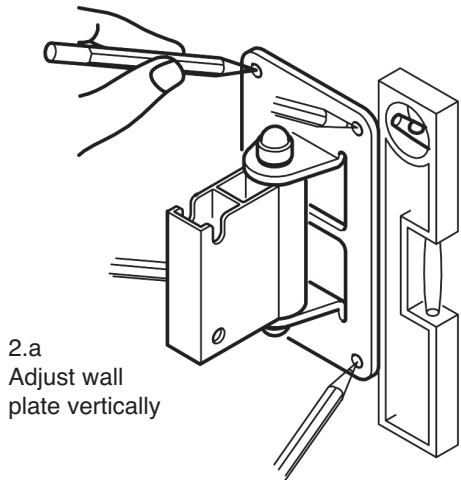
WALL MOUNT 8000-402B/W for GENELEC 8030A, 8040A, 8050A max. load 15 kg, easy handling, adjustable direction and angle

Instruction manual

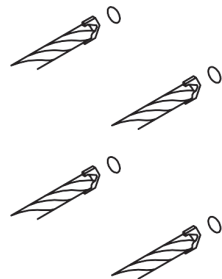
1. Separate swivel joint from wall bracket



2. wall bracket fastening

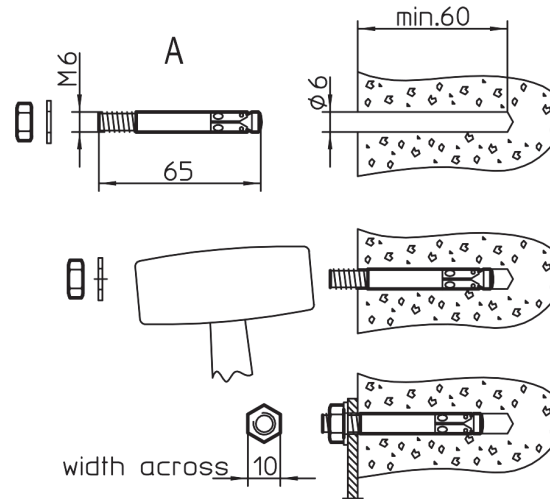


2.b
Anchor holes drilling (4x) diameter
-6 mm steel-anchor-bolt
-8 mm universal frame fixing set

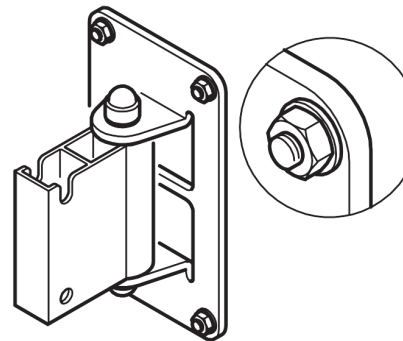
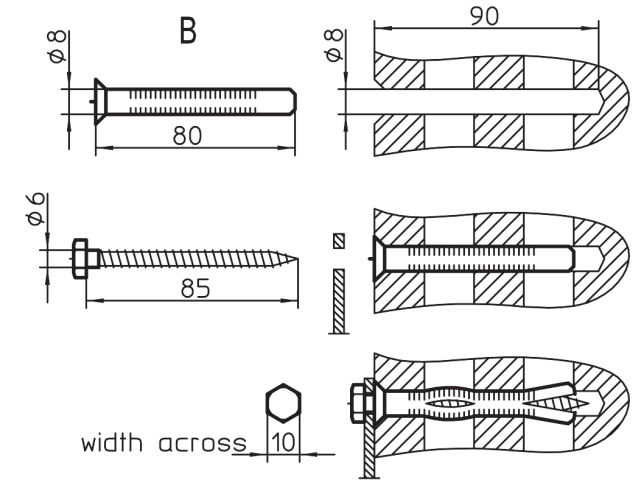


3. Wall mount options

Concrete wall - e.g.: steel-anchor-bolt M6 x 65 mm
-drill and blow out hole, place anchor, wall bracket and washer, tighten hexnut



Perforated bricks - e.g.: unisversal frame fixing set 8 x 80 mm
-drill, countersink and blow out hole, place anchor and bracket, fix hexagon head wood screw



C Injection-molded-anchor

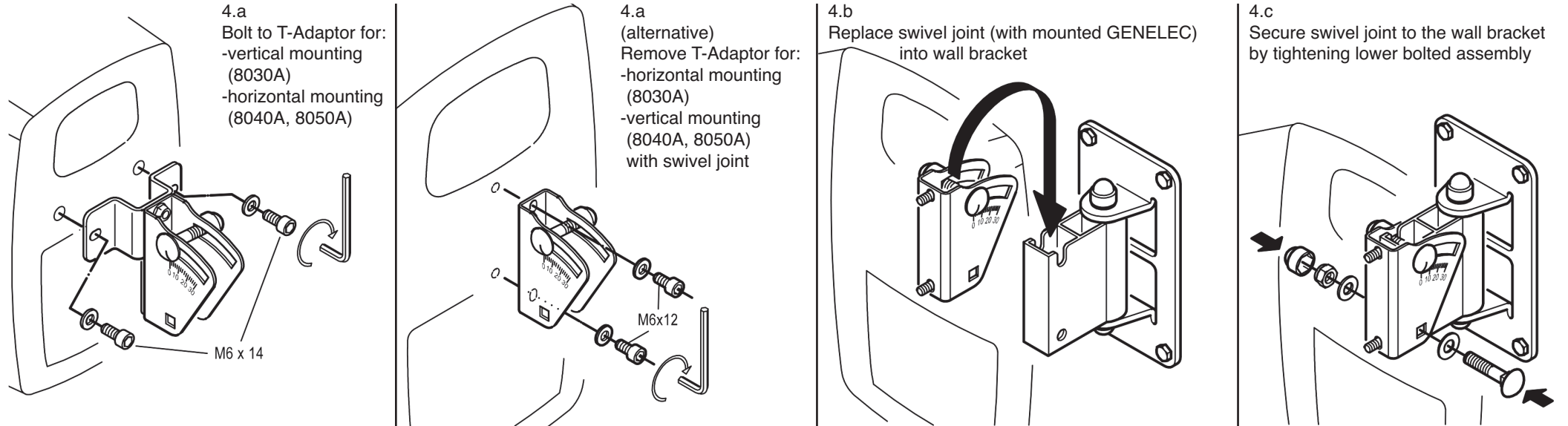
Without sieve bushing for concrete wall - with sieve bushing for perforated bricks / optional with threaded bolt M6 or threaded bushing M6

Advantages: fixing without pressure, enables repeated mounting, capable for diverse wall materials
(please notice instructions of anchor manufacturers).

WALL MOUNT 8000-402B/W for GENELEC 8030A, 8040A, 8050A max. load 15 kg, easy handling, adjustable direction and angle

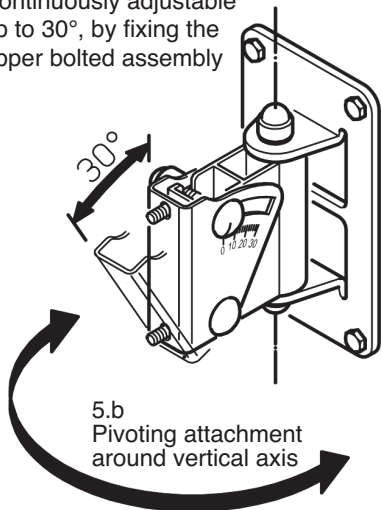
Instruction manual

4. Installation



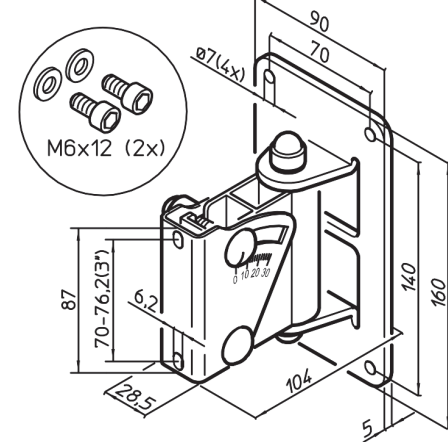
5. Settings

5.a
Continuously adjustable up to 30°, by fixing the upper bolted assembly

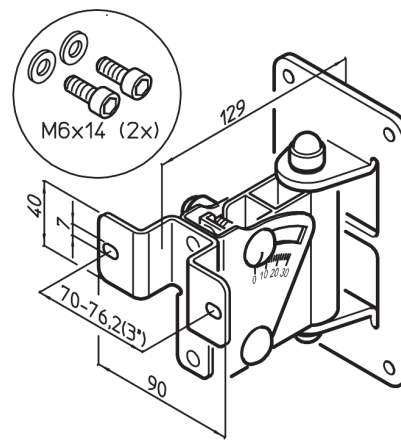


6. Dimensions Weight: 1.2 kg

vertical hole pattern



horizontal hole pattern



Safety instructions

- Max. load capacity: 15 kg
- Use four anchors per wall bracket
- Choose a position and mounting method compliant with local building codes and regulations
- For use only by trained installers
- For use only at proper walls with adequate anchors (see 3.)
- Not suitable for fragile walls. Beware of power supply lines and water conduits. In case ask an expert.
- Inspect bolted assemblies periodically
- For indoor use only